

Storm Water and Ground Water in the BCAMSC Science Units

Nancy Karre
BCAMSC

nancy@bcamsc.org



About the BCAMSC Science Units

- Member districts
- Non-member districts
- K – 7th grade
- Physical Science, Life Science, Earth Science at each grade level
- Professional Development
- Working with the City of Battle Creek to educate our teachers and youth, and to satisfy the jurisdiction agreement between the city and schools.



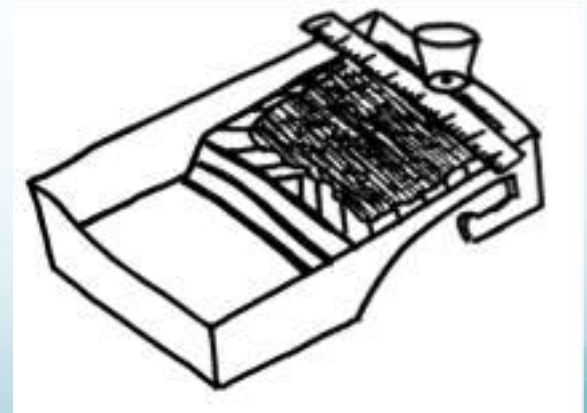
We start early.....

- Kindergarten – *My Earth*
 - ✓ Water as an “earth material”
 - ✓ Plants and animals are dependent on water
 - ✓ Pledge to conserve water and keep water clean



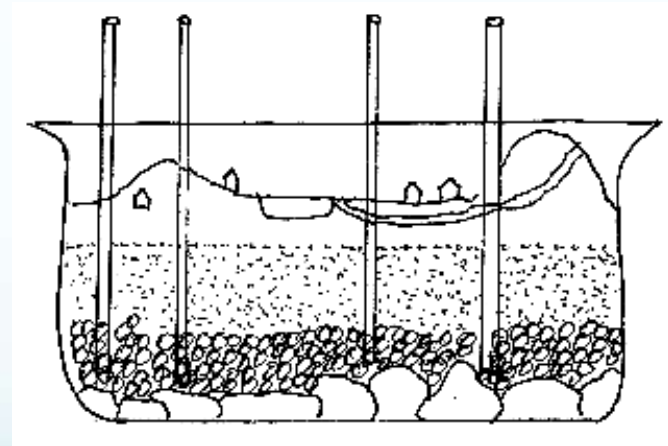
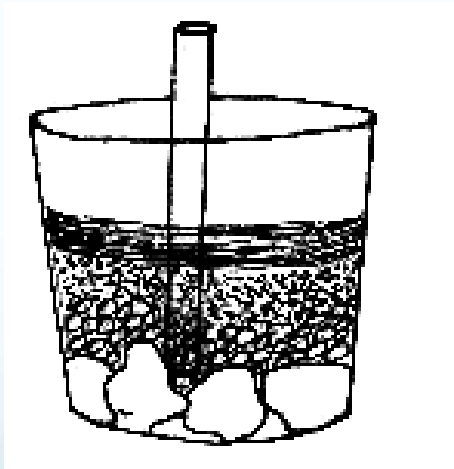
2nd grade: *Earth's Land and Water* - Finding the source and observing its movement

- Water is found under ground, on the surface, and in the sky!
- Water moves!
 - ✓ Water flows downhill
 - ✓ Water in the streets – real world experiences
 - ✓ Storm drains



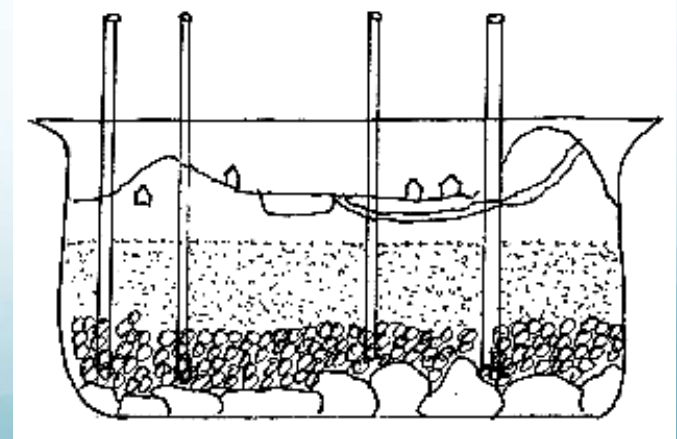
Finding the source and observing its movement – 2nd grade

- Water is found under ground, on the surface, and in the sky!
- Ground water!



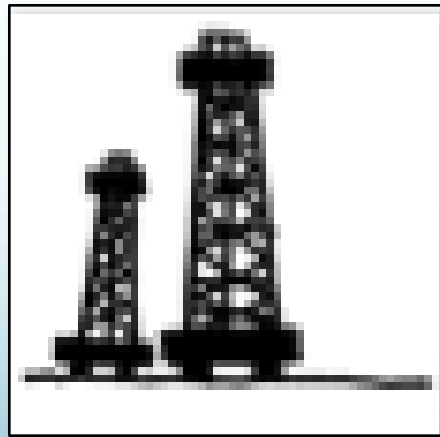
Finding the source and observing its movement – 2nd grade

- Water is found under ground, on the surface, and in the sky!
- Uses of water
 - ✓ Daily Average Water Use
 - ✓ Collect data
 - ✓ Safe drinking water – *A Cool Drink of Water*
 - ✓ What would happen if.....
 - ✓ Pledge to protect and conserve water- drinking water protection



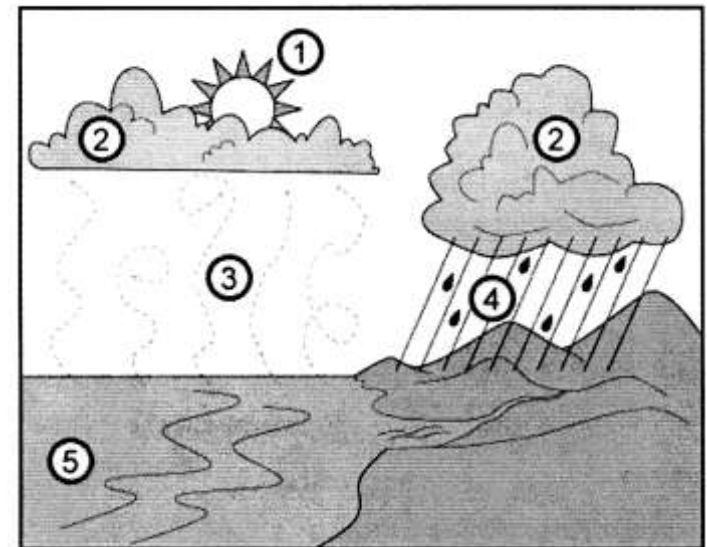
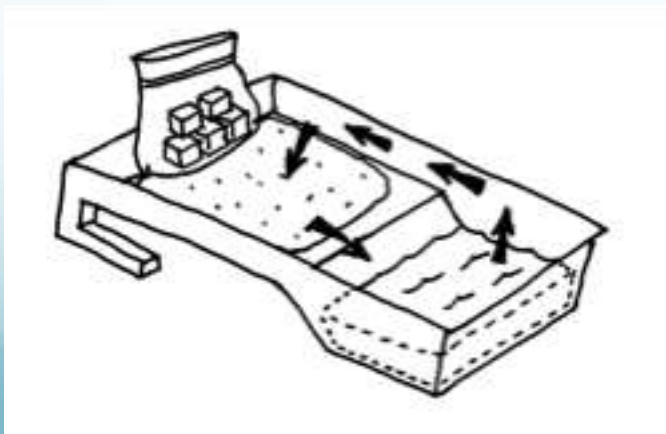
3rd Grade: *Earth and Me* – natural resources

- Water is a natural resource
 - ✓ Resource use
 - ✓ Human Activity and our natural resources
 - ✓ Erosion and landslides - local storm water
 - ✓ Protect, extend and restore natural resources - drinking water protection
 - ✓ *Oil Spill*



In the Middle School (7th grade): Weather, Climate and Me

- The Water Cycle
 - ✓ The flow of water on land
 - ✓ Water sheds and aquifers
 - ✓ Storm drains and water quality
 - ✓ How Do Humans Affect Air, Water, and Land?
 - ✓ Take Action!



Weather, Climate, and Me – 7th grade

- Water shed maps:
<http://www.bellmuseum.org/distancelearning/watershed/watershed2.html>
- Surf Your Watershed (US EPA)
- Your storm water drainage system – where does it go?
Where does it end up?
- What would happen if....

Thank you!

- For further information, please contact us!
- Nancy Karre

nancy@bcamsc.org

269-965-9584